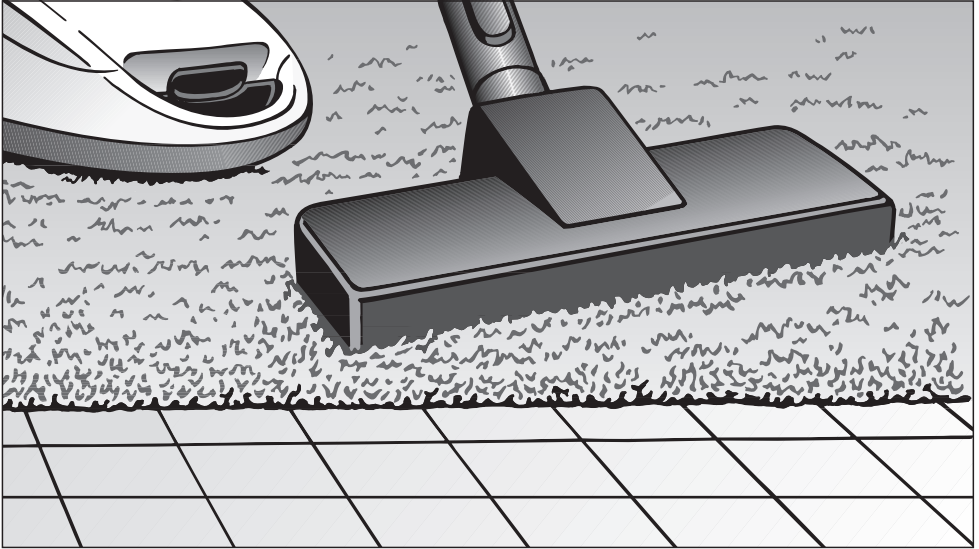


Operating instructions



Vacuum cleaners

To avoid the risk of accidents or damage to the appliance, it is **essential** to read these instructions before using it for the first time.

These operating instructions apply to standard models S 8530 and S 8590 as well as to other models which are distinguished by names rather than numbers.

HS15

en - GB

M.-Nr. 09 246 030

Contents

| | |
|---|----|
| Caring for our environment | 3 |
| Guide to the appliance | 4 |
| Warning and Safety instructions | 6 |
| Preparing for use | 10 |
| Using the accessories supplied | 14 |
| Correct use | 15 |
| Mains cable | 15 |
| Switching on and off | 15 |
| Adjusting the suction power | 16 |
| Illuminating the working area | 18 |
| Setting down, transportation and storage | 19 |
| Parking system for pauses in vacuuming | 19 |
| Parking system for storage | 20 |
| Maintenance and care | 21 |
| Purchasing new dustbags and filters | 21 |
| Ordering the correct dustbags and filters | 21 |
| When to change the dustbag | 22 |
| Replacing the dustbag | 23 |
| When to change the dust compartment filter (for motor protection) | 24 |
| How to change the dust compartment filter | 24 |
| Replacing the Active HEPA filter | 25 |
| Replacing the Active HEPA exhaust filter | 26 |
| Replacing one type of exhaust filter with another | 27 |
| Changing the batteries on the LED handle | 28 |
| When to change the thread lifters | 29 |
| Replacing the thread lifters | 29 |
| Cleaning and care | 30 |
| Problem solving guide | 31 |
| After sales service | 32 |
| Optional accessories | 33 |
| Electrical connection for the UK | 35 |

Disposal of packing material

The packaging is designed to protect the vacuum cleaner from damage during transportation. The packaging materials used are selected from materials which are environmentally friendly for disposal and should be recycled.

Ensure that any plastic wrappings, bags, etc. are disposed of safely and kept out of the reach of babies and young children. Danger of suffocation.

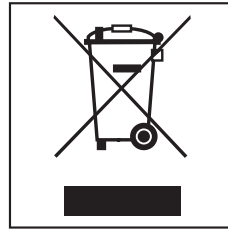
Disposing of the dustbag and filters

These are made from environmentally friendly materials. The filters can be disposed of with the normal household waste. The dustbag can also be disposed of in this way if it has been used exclusively for general household dust.

Disposing of your old appliance

Before disposing of your old appliance remove the dustbag and all the filters and dispose of them with your normal household waste.

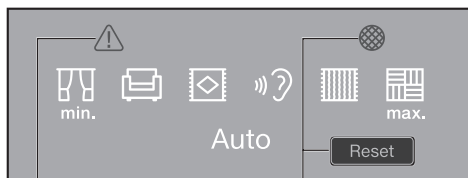
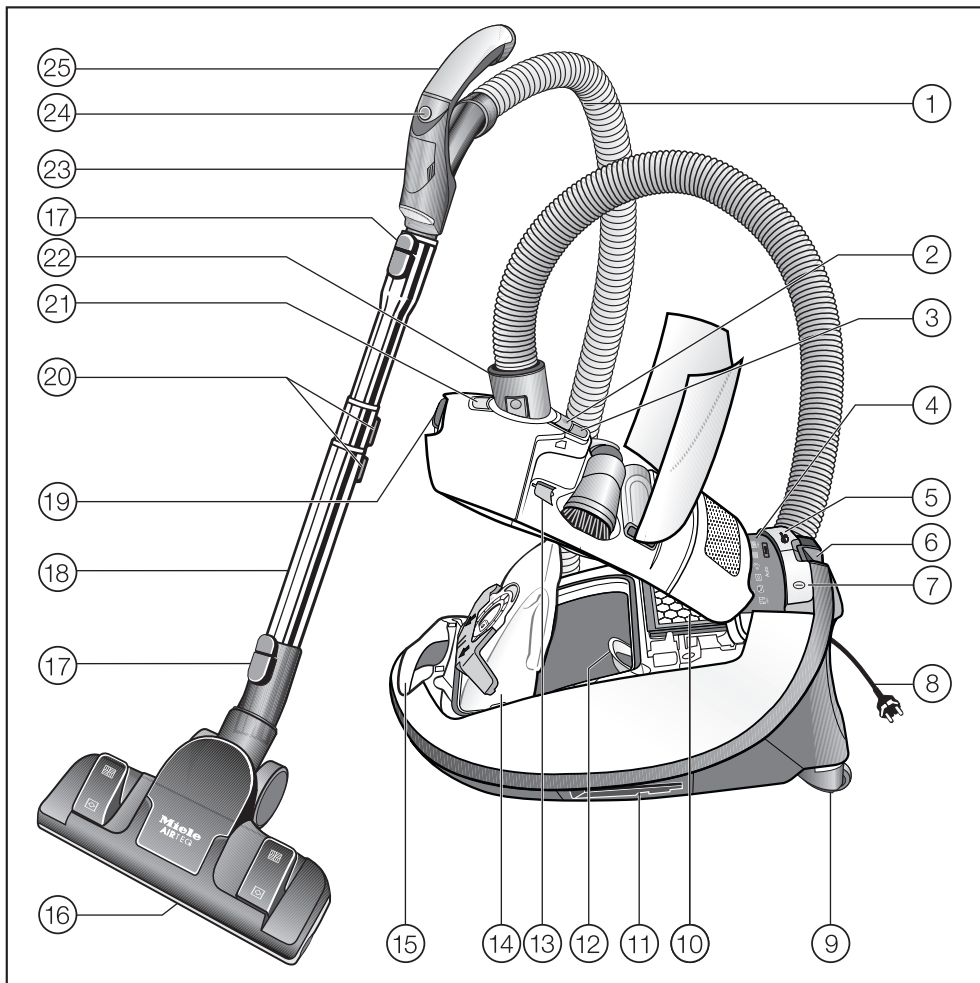
Electrical and electronic appliances often contain materials which, if handled or disposed of incorrectly, could be potentially hazardous to human health and to the environment. They are, however, essential for the correct functioning of your appliance. Please do not therefore dispose of it with your household waste.



Please dispose of it at your local community waste collection/recycling centre, or contact your dealer for advice.


Ensure that it presents no danger to children while being stored for disposal.

Guide to the appliance



26

27

- ① Suction hose
- ② Release button for accessories compartment
- ③ Dustbag change indicator
- ④ Display
- ⑤ Foot switch for automatic cable rewind
- ⑥ Parking system for pauses in vacuuming
- ⑦ On/Off foot control ①
- ⑧ Mains cable
- ⑨ Roller wheels
- ⑩ Active HEPA filter
- ⑪ Illuminated parking attachment (on both sides of the vacuum cleaner)
- ⑫ Dust compartment filter (for motor protection)
- ⑬ Electrobrush socket cover holder
- ⑭ Original Miele dustbag
- ⑮ Carrying handle
- ⑯ AllTeQ or AirTeQ floorhead
- ⑰ Release button
- ⑱ Triscopic tube
- ⑲ Dust compartment release button
- ⑳ Release buttons for the triscopic tube
- ㉑ Socket for Electro brush
- ㉒ Connection socket
- ㉓ Battery compartment
- ㉔ On button for lighting
- ㉕ LED handle
- ㉖ Overheating warning light 
- ㉗ Exhaust filter change indicator and re-set button

Warning and Safety instructions

This vacuum cleaner meets statutory safety requirements. Improper use can, however, lead to personal injury and damage to property.

To avoid the risk of accidents and damage to the vacuum cleaner, please read these instructions carefully before using it for the first time. They contain important information on its safety, operation and maintenance.

Keep these instructions in a safe place and ensure new users are familiar with the content. Pass them on to any future owner.

Always disconnect the vacuum cleaner from the mains supply when you have finished using it, before changing over accessories, as well as for maintenance work and cleaning. Switch it off at the wall socket and unplug it.

Correct application

- ▶ This vacuum cleaner is not designed for commercial use. It is intended for use in domestic households and for use in similar working and residential environments.
- ▶ The vacuum cleaner is not intended for outdoor use.
- ▶ The vacuum cleaner must only be used for domestic household purposes to vacuum dry floor surfaces. Do not use on people or animals. Any other usage, modification or alteration is not supported by the manufacturer and could be dangerous.
- ▶ This appliance can only be used by people with reduced physical, sensory or mental capabilities, or lack of experience or knowledge, if they are supervised whilst using it, or have been shown how to use it correctly by a person responsible for their safety.

Safety with children

- ▶ This vacuum cleaner is not a toy! To prevent the risk of injury, do not allow children to play with the appliance or its controls.
- ▶ Children 8 years and older may use, clean or maintain the vacuum cleaner without adult supervision only if they have been shown how to do so in a safe way and understand the hazards involved.
- ▶ Children under 8 years of age must be kept away from the appliance unless they are constantly supervised.
- ▶ Keep batteries out of the reach of children.

Technical safety

- ▶ Ensure that the connection data on the data plate (voltage and frequency) match the mains electricity supply exactly.
- ▶ The plug must be fitted with a 13 A fuse (UK).
- ▶ Before using the vacuum cleaner, check for any visible signs of damage. Do not use a damaged appliance.
- ▶ While the vacuum cleaner is under guarantee, repairs should only be undertaken by a service technician authorised by Miele. Otherwise the guarantee will be invalidated.
- ▶ The socket on the vacuum cleaner (depending on model) must only be used for the Miele Electrobrush specified for use with this appliance.
- ▶ Do not pull or carry the vacuum cleaner by the cable and be careful not to damage the cable when withdrawing the cable from the socket. Keep the cable away from sharp edges and do not let it get squashed, for example, under a door.
Avoid running the vacuum cleaner over the cable.
This could damage the cable, plug or socket. The appliance must not be used if any of these have suffered damage.

Warning and Safety instructions

- ▶ Do not use the vacuum cleaner if the cable is damaged. If the cable is damaged it must be replaced together with a complete cable rewind. For safety reasons this work must be done by the Miele Service Department or a Miele authorised service technician.
- ▶ When vacuuming especially fine dust, e.g. sawdust, sand, plaster, flour, talcum powder etc., electrostatic charges build up naturally. Under certain conditions these charges will be released. To avoid the unpleasant effects of these discharges, a metal inlay has been incorporated into the underside of the handle. Please make sure that you keep your hand in constant contact with this metal strip during vacuuming.
- ▶ Do not let the vacuum cleaner get wet. Clean only with a dry cloth or slightly damp cloth when disconnected from the mains supply.
- ▶ Repairs should only be carried out by a Miele authorised service technician. Repairs and other work by unqualified persons could be dangerous. The manufacturer cannot be held liable for unauthorised work.

Correct use

- ▶ To avoid the risk of damage, do not use the vacuum cleaner without the dustbag, dust compartment filter and exhaust filter in place.
- ▶ If the dustbag is not fitted correctly, the dust compartment cover does not normally close. Do not force it.
- ▶ Important information on the handling of batteries:
 - Do not short circuit or recharge batteries, or throw them into a fire.
 - Disposing of batteries: Remove the batteries from the LED handle and dispose of them in your recycling bin. Do not dispose of them with the normal household waste.

Warning and Safety instructions

- ▶ Floor attachments, accessories and tubes must not be used at head level to avoid the risk of injury, e.g. to eyes and ears.
- ▶ Do not vacuum up anything which has been burning or is still glowing e.g. cigarettes, ashes or coal, whether glowing or apparently extinguished.
- ▶ Do not vacuum up any water, liquid or damp dirt. Wait until any freshly cleaned or shampooed carpets or floor coverings are completely dry before attempting to vacuum.
- ▶ Do not vacuum up any inflammable or combustible matter or gases and do not vacuum in areas where such substances are stored.
- ▶ Do not vacuum toner dust. Toner, such as that used in printers and photocopiers, can conduct electricity.

Accessories

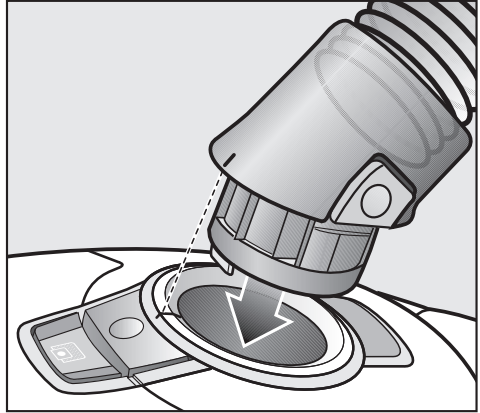
- ▶ To avoid the risk of injury when vacuuming with a Miele Electrobrush or Turbobrush, do not touch the rotating roller brush.
- ▶ The Miele Electrobrush is a motor driven accessory for use only with Miele vacuum cleaners. The vacuum cleaner must not be used with an electrobrush produced by another manufacturer.
- ▶ It is not advisable to vacuum directly with the handle, i.e. without an accessory attached, as the rim could get damaged and you could hurt yourself on sharp edges.
- ▶ Only use genuine dustbags, filters, accessories and optional accessories with the "Original Miele" logo on them. This will ensure optimum performance of the appliance throughout its life.

The manufacturer cannot be held liable for damage caused by incorrect use or operation or by non-compliance with these Warning and Safety instructions.

Preparing for use

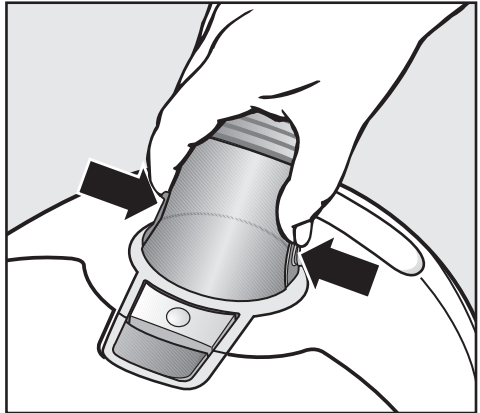
Attaching the suction hose

- Insert the hose connector into the socket until it clicks into position. To do this, line up the guides on the two pieces.



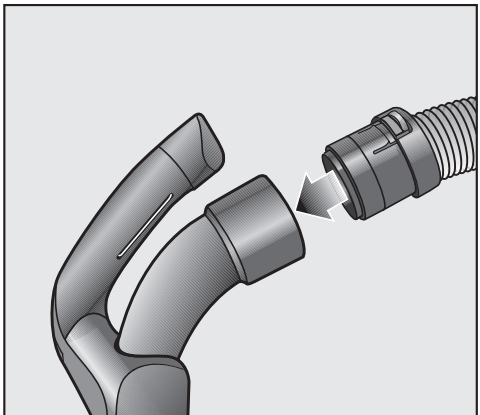
Removing the suction hose from the cleaner

- Press the release buttons at the side of the hose connector, and lift the hose from the socket.



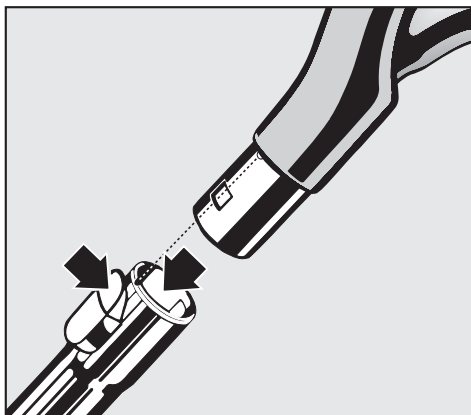
Connecting the handle to the suction hose

- Insert the suction hose into the handle until it clicks into position.



Connecting the handle to the suction tube

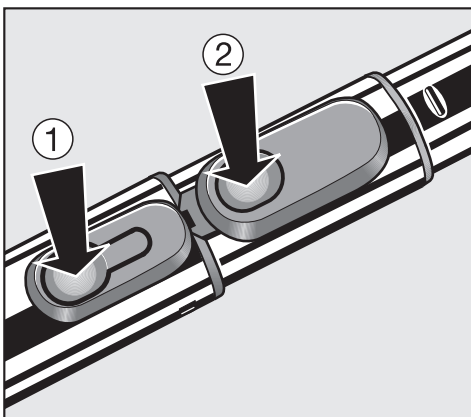
- Insert the handle into the suction tube until it clicks into position. To do this, line up the guides on the two pieces.
- To release the handle from the suction tube, press the release button and pull the handle away from the tube.



Adjusting the triscopic suction tube

The triscopic tube has three sections. Two sections are packed together inside a third outer tube.

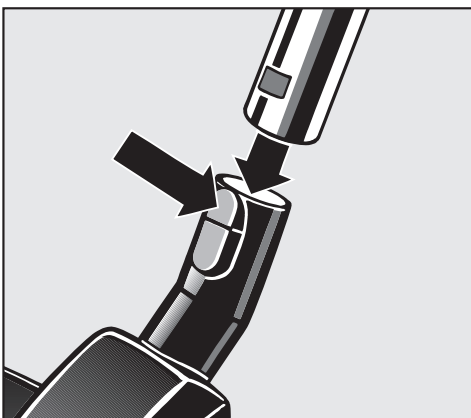
- Press the release button (see arrow ①) to release the lower tube and pull it right out until it clicks. Press the button again when you want to retract the tube. The tube will click into place.
- Press button ② and pull the adjustable tube out to the required height.



Fitting the standard floorhead

- Push the suction tube into the floorhead and turn it clockwise or anti-clockwise until it clicks into position.
- To release the floorhead from the suction tube, press the release button (see arrow) and pull the suction tube away from the floorhead.

The floorhead can be used for all normal cleaning of carpets and rugs. It can also be used with the brush protruding to vacuum hard flooring. For hard flooring, such as stone and parquet, we recommend using one of the special Miele floor brushes (see "Optional accessories").



Preparing for use

Adjusting the standard floorhead

Please observe the flooring manufacturer's cleaning and care instructions.

Vacuum carpets and rugs with the brush retracted:

- Press the foot control .

Clean hard flooring which is not susceptible to scratching with the brush protruding:

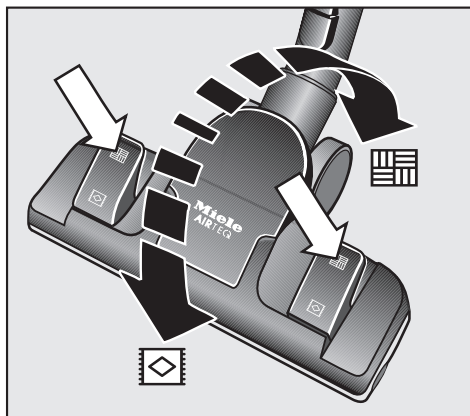
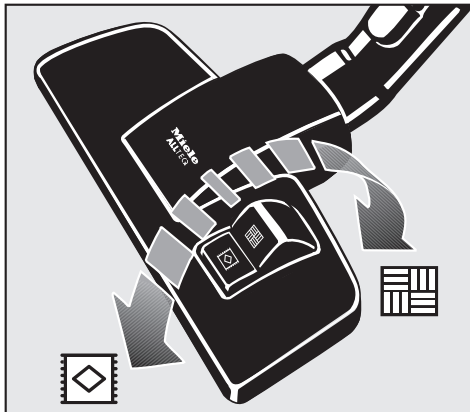
- Press the foot control .

Clean flooring which has deep crevices or grooves with the brush protruding.

AirTeQ floorhead

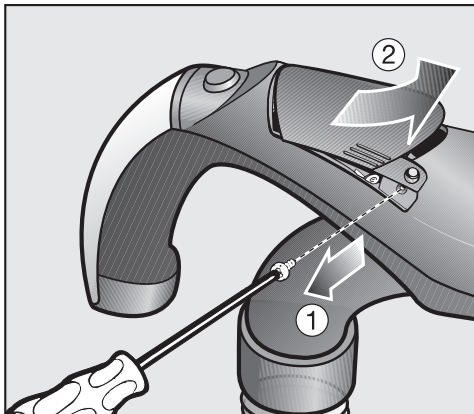
This floorhead has been specially developed to achieve excellent cleaning results using low energy. It has particularly low power consumption and high suction capability.

Warning: If the suction power of the AirTeQ floorhead seems too high, reduce the suction until the floorhead is easier to manoeuvre (see "Correct use - adjusting the suction power").

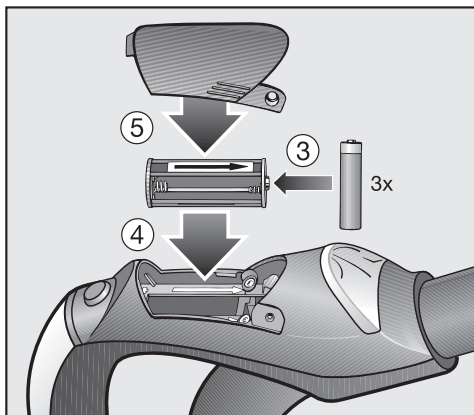


Inserting batteries into the LED handle

- ① Loosen the screws on the cover.
- ② Press down on both sides of the cover to remove.



- ③ Take out the battery holder and insert the three batteries supplied making sure they are the right way round.
- ④ Replace the battery holder in the direction of the arrows on the holder and battery compartment, so that both line up.
- ⑤ Replace the cover and tighten the screws.



Using the accessories supplied

① Crevice nozzle

For cleaning in folds, crevices or corners.

② Natural bristle dusting brush

For dusting shelves, ornate or carved items or delicate objects. The head of the dusting brush can be swivelled to attain the best cleaning position.

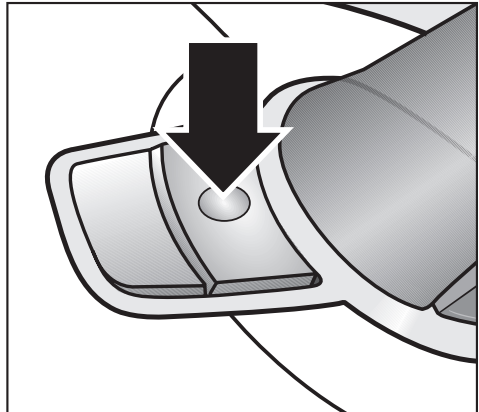
③ Upholstery nozzle

For cleaning upholstery, mattresses, cushions, curtains, covers etc.



Opening the accessories compartment

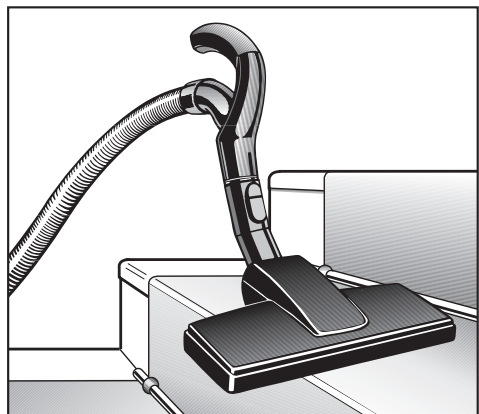
- Press the release button to open the accessories compartment lid.
- Take out the accessory you require.
- Press down firmly on the lid to close it.



Floorhead

For general use and also for vacuuming stairs.

Warning: For safety reasons when vacuuming stairs it is best to start at the bottom of the stairs and move upwards.



Mains cable

Unwinding the cable

- Pull the mains cable out to the required length (max. approx. 7.5 m).
- Insert the plug in the socket correctly.

The parking system lighting on both sides switches on.

The first time the vacuum cleaner is used, the lighting switches on after approx. two minutes.

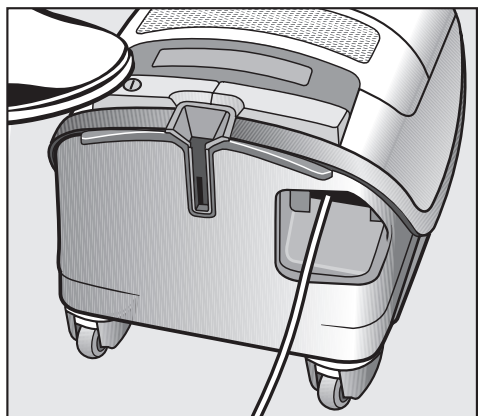
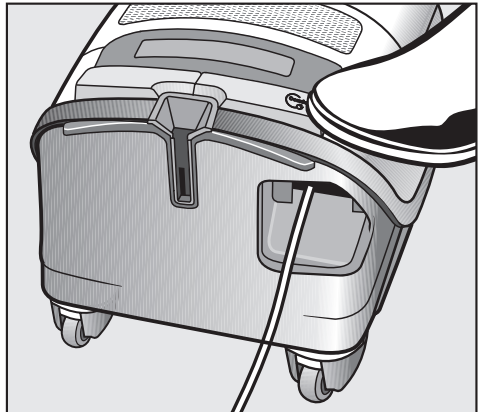
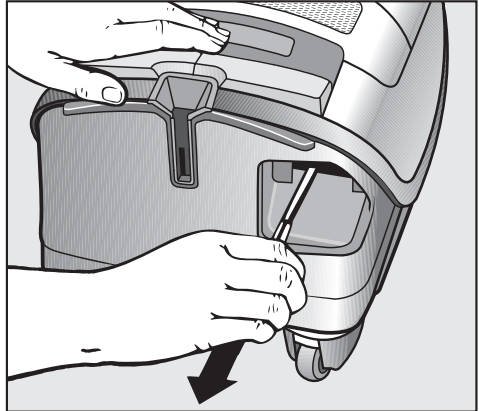
Warning: If vacuuming for longer than 30 minutes, the mains cable must be pulled out to its fullest extent. Otherwise there is a danger of overheating and damage.

Rewinding the cable

- Switch off at the wall socket and unplug it.
- After approx. 30 seconds the parking system lighting switches off again.
- Press the rewind foot control briefly. The cable will rewind automatically.

Switching on and off

- Press the On/Off foot control .



Correct use


Adjusting the suction power

The suction power can be regulated to suit the type of flooring being cleaned. Reducing the suction power reduces the amount of effort required to manoeuvre the floorhead.

Some models also have symbols on the controls. The symbols indicate the type of use the settings are suitable for:


 - curtains, lightweight fabrics

 - upholstery, cushions


 - thick pile carpets, rugs and runners

Auto = suction power is automatically adjusted for the type of floor being vacuumed

Do not use the "Auto" setting to vacuum lightweight materials or curtains. These could be sucked in and possibly damaged.

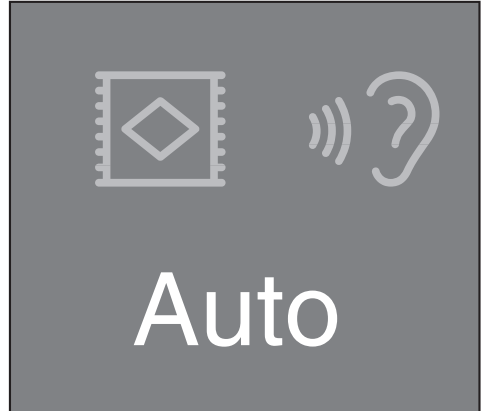
 - for daily energy-saving vacuuming (this setting is also very quiet)

 - loop-pile carpets

 - heavily soiled hard flooring and for intensive cleaning of carpets

When using the AirTeQ floorhead, if the suction seems too high, reduce the suction until the floorhead is easier to manoeuvre.

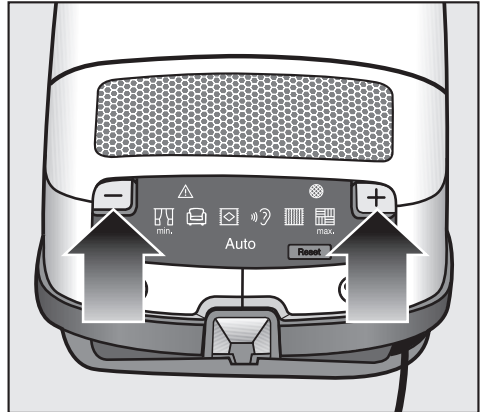
The first time the vacuum cleaner is switched on, the "Auto" power setting will be selected automatically.



- Press the + foot control to select a higher setting.
- Press the - foot control to select a lower setting.

After that, the vacuum cleaner will switch on at the setting which was used previously.

Do not use the "Auto" setting to vacuum lightweight materials or curtains. These could be sucked in and possibly damaged.

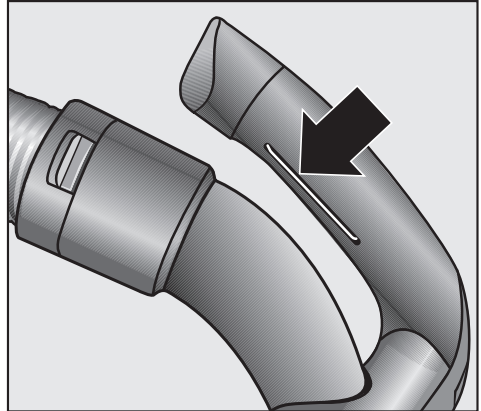


Correct use

Vacuuming


- When vacuuming, pull the cleaner behind you on its wheels. You can stand it upright for vacuuming stairs and curtains etc.

Warning: When vacuuming especially fine dust, e.g. sawdust, sand, plaster, flour, talcum powder etc., electrostatic charges build up naturally. Under certain conditions these charges will be released. To avoid the unpleasant effects of these discharges, a metal inlay has been incorporated into the underside of the handle. Please make sure that you keep your hand in constant contact with this metal strip during vacuuming.

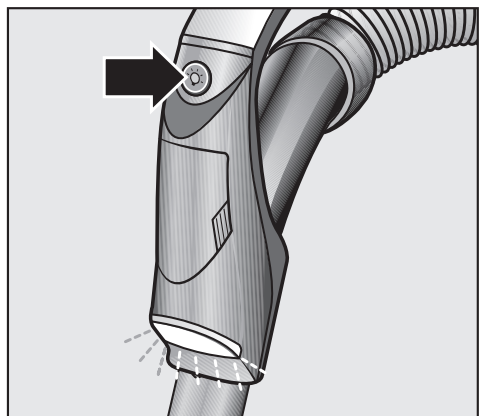


Illuminating the working area

Your vacuum cleaner is equipped with an LED on the handle to illuminate the work area.

- Press the  button on the LED handle.

It will switch itself off automatically after approx. 30 seconds.



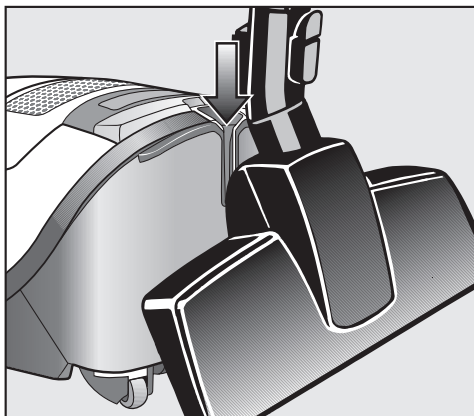
Parking system for pauses in vacuuming

(cannot be used with the SEB 234 L Electro Premium Electrobrush)

A parking system has been designed for conveniently parking the suction tube and floorhead during pauses.

- Slot the floorhead into the parking attachment at the back of the vacuum cleaner.

If the vacuum cleaner is on a sloping surface, e.g. a ramp, retract the suction tube fully.



Switching on and off with the parking system

The vacuum cleaner switches off automatically when the floor head is slotted into the parking system with the parking attachment.

When the floorhead is removed from the parking system the vacuum cleaner switches back on at the last selected power level.

Setting down, transportation and storage

Parking system for storage

Always disconnect the vacuum cleaner from the electrical supply when you have finished using it. Switch off at the wall socket and unplug it.

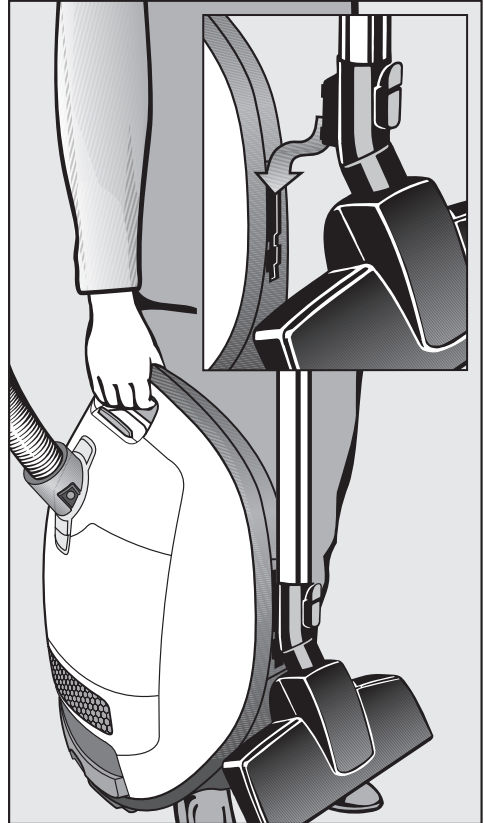
After approx. 30 seconds the parking system lighting switches off.

- Stand the vacuum cleaner upright when it is not being used and when it is being stored.

Retract the telescopic tube fully.

- Slot the floorhead downwards into one of the parking attachments on either side of the vacuum cleaner (the parking attachments cannot be used with the SEB 234 L Electro Premium Electrobrush).

This makes the cleaner easier to carry or store.



Warning: Always disconnect the vacuum cleaner from the electrical supply for maintenance work and for cleaning. Switch off at the wall socket and unplug it.

The Miele filtration system consists of three filters which must be replaced from time to time to ensure that your vacuum cleaner performs efficiently.

- Dustbag
- Dust compartment filter (for motor protection)
- Exhaust filter

Only use genuine dustbags, filters, accessories and optional accessories with the "Original Miele" logo on them. Only this will ensure that the suction power of the vacuum cleaner is maintained, giving the best possible cleaning results.

Warning: The use of dustbags made from paper or paper-based materials, or dustbags with a cardboard collar, or dustbags that do not carry the "Original Miele" logo, can seriously damage the vacuum cleaner and invalidate the warranty.

Purchasing new dustbags and filters

Original Miele dustbags and filters can be ordered from your Miele Dealer, from Miele or online at:



Ordering the correct dustbags and filters

Only use original Miele **G/N** dustbags with a **blue** collar. Using any other dustbags will damage the vacuum cleaner. Original Miele dustbags are identified by the "Original Miele" logo on the packaging or directly on the dustbag.



An Air Clean filter and a dust compartment filter are supplied with every packet of Miele dustbags. These can also be purchased separately.

You can replace the exhaust filter fitted in the vacuum cleaner with one of the other Miele exhaust filters if you wish (see "Optional accessories").

Maintenance and care

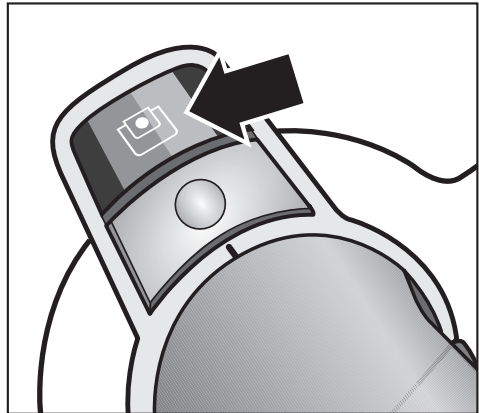
When to change the dustbag

Change the dustbag when the colour marker in the dustbag change indicator fills the display, or sooner if it is no longer effective (see possible reasons for this below).

Miele dustbags are disposable and designed to be used only once. Dispose of the dustbag when it is full. Do not attempt to reuse them as suction would be reduced.

Checking the dustbag change indicator

- Attach the AllTeQ or AirTeQ floorhead. Do not use any of the other floorheads or attachments as they will cause the dustbag change indicator to give a false reading.
- Switch the vacuum cleaner on and select the maximum power setting.
- Lift the floorhead off the floor a little. If the marker completely fills the dustbag change indicator, you should replace the dustbag with a new one.



How the dustbag change indicator works

The dustbag change indicator is set for normal household dust. This generally contains a mixture of dust, hair, carpet fluff, threads, grit etc.

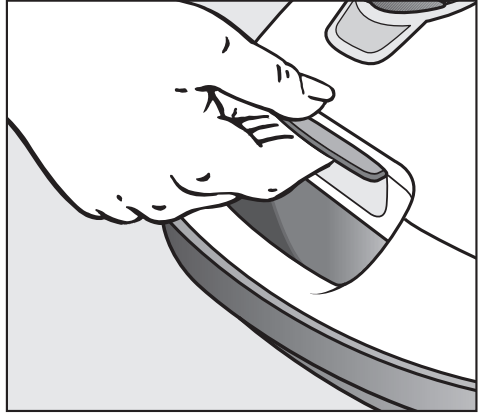
However, if the cleaner has been used to vacuum up fine dust, such as plaster, brick dust, cement or flour, the pores of the dustbag will become blocked very quickly. This affects the air permeability of the bag, and the marker will indicate that the bag is "full" even when it is not. If this happens you must still change the dustbag because suction power will be greatly reduced by blocked pores in the dustbag.

If, on the other hand, you have vacuumed up a large amount of hair and carpet fluff which typically contains a lot of air, the indicator may fail to react even though the bag is full. You should still change it. Both these extremes can occur.

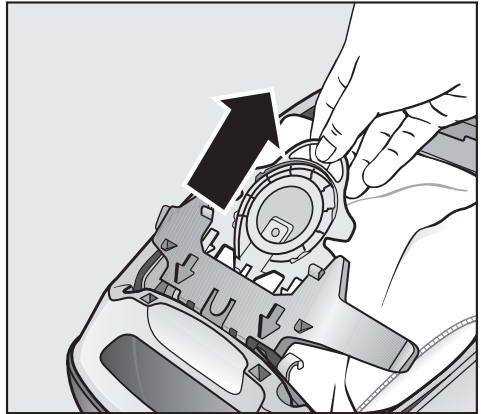
Replacing the dustbag

- Press the release button for the dust compartment lid and raise the lid as far as it will go.

The dustbag has a closing flap which closes automatically when the dust compartment lid is raised to prevent any dust escaping.

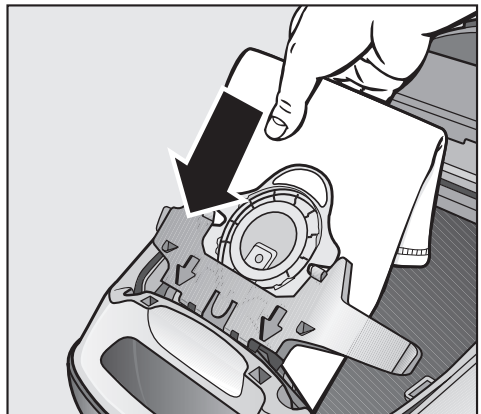


- Pull the dustbag out by the grip next to the self-closing flap on the collar.



- Fit the new dustbag into the **blue** holder as far as it will go. Leave it folded up when you take it out of the box.

- It should be unfolded in the dust compartment.
- Close the dust compartment lid securely, making sure it clicks into position. Take care not to trap the dustbag when doing so.



Warning: The lid will not close without a dustbag in place. Do not use force!

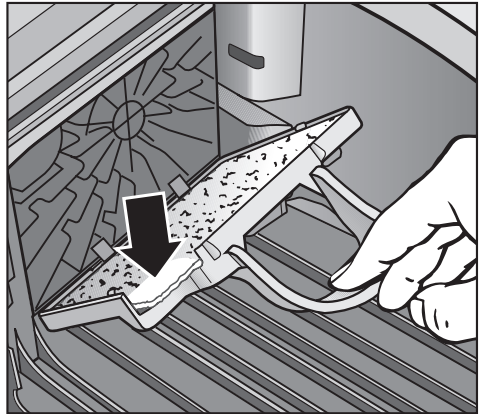
Maintenance and care

When to change the dust compartment filter (for motor protection)

Replace this filter every time you start a new packet of dustbags. A dust compartment filter is supplied with every packet of Miele dustbags.

How to change the dust compartment filter

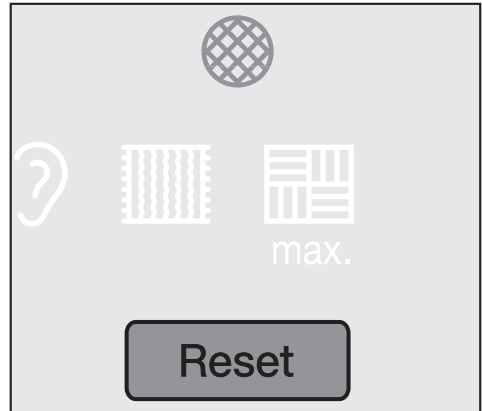
- Open the dust compartment lid.
- Pull the dustbag out by the grip next to the self-closing flap on the collar.
- Lift up the **blue filter frame** until it clicks and remove the old filter. Hold by the clean, unsoiled section to remove it.
- Replace with a new dust compartment filter.
- Close the filter frame.
- Fit the dustbag into the holder as far as it will go.
- Close the dust compartment lid securely, making sure it clicks into position. Take care not to trap the dustbag when doing so.



Replacing the Active HEPA filter

Always change the Active HEPA filter when the exhaust filter indicator lights up. It is designed to light up after approx. 50 hours of operation which is equivalent to about a year of average use. It should be replaced sooner if it is obviously soiled or no longer effective. The vacuum cleaner can still be used with the exhaust filter indicator lit up. However, the suction power will be reduced as will the effectiveness of the filter if it is not replaced in good time.

You can replace the Active HEPA exhaust filter fitted in the vacuum cleaner with one of the other Miele exhaust filters if you wish (see "Optional accessories").



Maintenance and care

Replacing the Active HEPA exhaust filter

Do not use more than one exhaust filter at a time.

- Open the dust compartment lid.
 - Raise the filter and remove it.
-
- Replace with a new filter, and push it down into place.

If you wish to use an Air Clean filter, see "Replacing one type of exhaust filter with another".

- Close the dust compartment lid firmly. It should click into place.

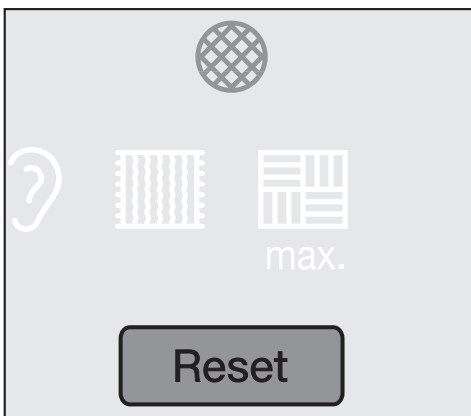
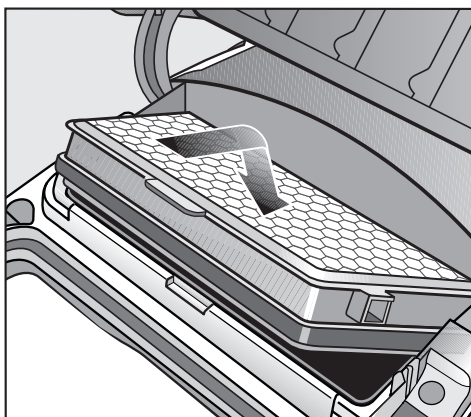
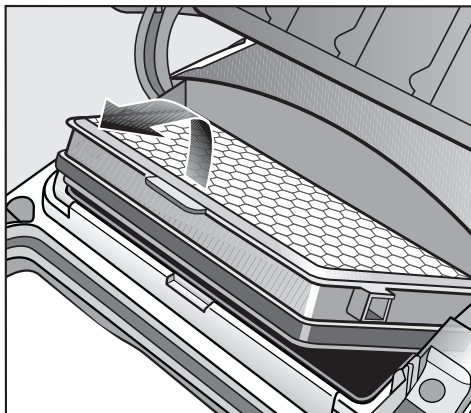
Resetting the exhaust filter change indicator

The filter change indicator needs to be reset each time the filter is replaced. To do this the vacuum cleaner must be switched on.

- Press the reset button.

The exhaust filter change indicator will go out and reset to zero.

The filter change indicator can only be reset by pressing the reset button after the light has come on. Pressing the button at any other time will have no effect.

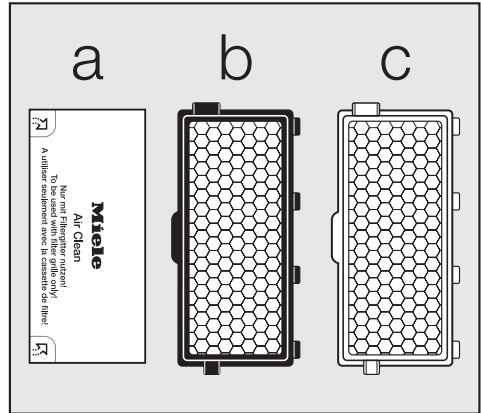


Replacing one type of exhaust filter with another

Do not use more than one exhaust filter at a time.

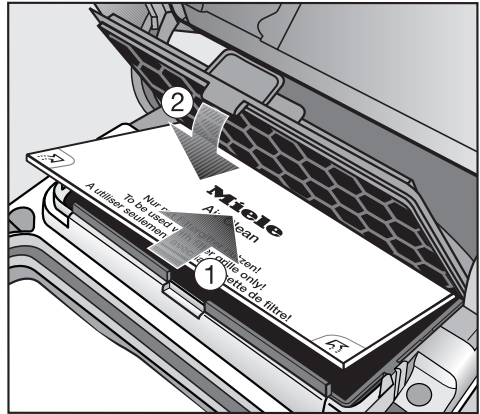
You can of course replace the standard Active HEPA filter **c** with either one of the following exhaust filters:

- a** Air Clean
- b** Active Air Clean

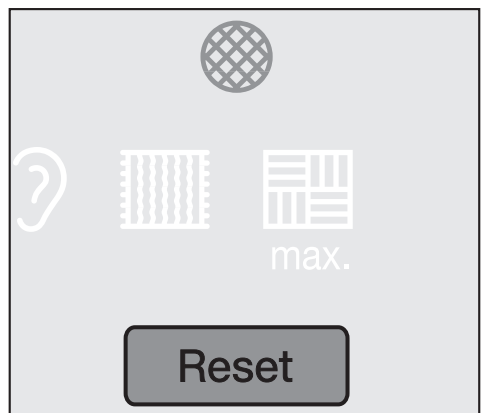


When replacing an Active HEPA filter with an Air Clean filter, please note:

If you wish to replace the Active HEPA filter **c** with an Air Clean filter **a**, then it is essential that you also fit the filter grille (See "Optional accessories").



The exhaust filter indicator light is designed to come on when the Active HEPA or Active Air Clean filter needs to be changed. The filter change indicator light is irrelevant if an Air Clean filter is being used, as long as it is replaced every time a new packet of Miele dustbags is started. The indicator light will go out when the reset button is pressed.

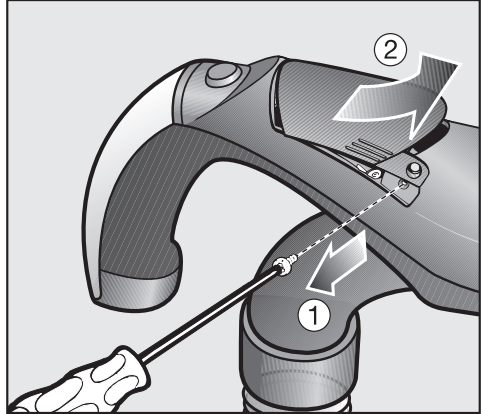


Maintenance and care

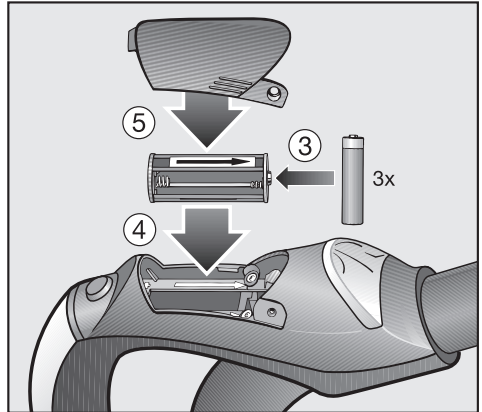
Changing the batteries on the LED handle

You will need three 1.5 V (AAA) batteries.

- ① Loosen the screws on the cover.
- ② Press down on both sides of the cover to remove.



- ③ Take out the battery holder and change the three batteries, making sure they are the right way round.
- ④ Replace the battery holder in the direction of the arrows on the holder and battery compartment, so that both line up.
- ⑤ Replace the cover and tighten the screws.



When to change the thread lifters

The thread lifters on the suction inlet of the floorhead can be replaced. Check them from time to time and replace them if the pile has worn down.

Replacing the thread lifters

AllTeQ floorhead

- Use a suitable screwdriver to remove the thread lifters from the slots. There are two grooves to help you.
- Fit new thread lifters.

AirTeQ floorhead

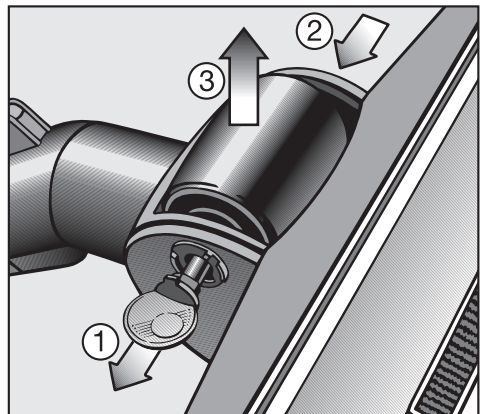
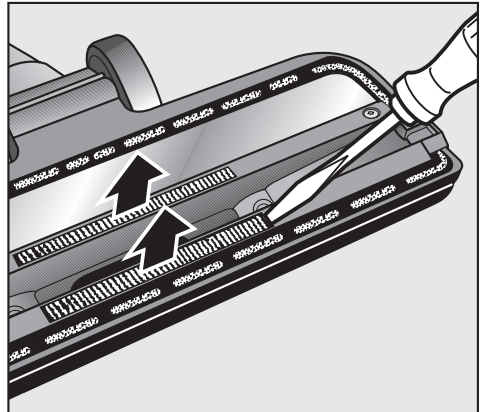
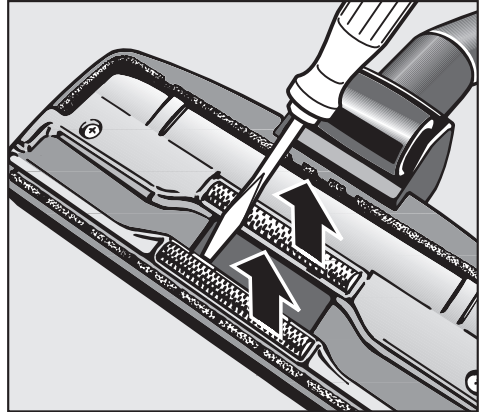
- Use a suitable screwdriver to remove the thread lifters from the slots.
- Fit new thread lifters.

Cleaning the roller on the AllTeQ floorhead

(Not necessary for the AirTeQ floorhead)

- ① Release the bearing (with bayonet fitting) using a coin.
 - ② Press the bearing out, and remove it.
 - ③ Take out the roller.
- Remove any threads and hair, replace the roller and refit the bearing.

Replacement parts are available from your Miele dealer or from Miele (see back cover for contact details).



Cleaning and care

Always disconnect the vacuum cleaner from the electrical supply before cleaning it. Switch off at the wall socket and unplug it.

Vacuum cleaners with textile velvet finish

Clean the vacuum cleaner casing with the dusting brush or a slightly damp cloth.

Vacuum cleaner and accessories

External surfaces of the vacuum cleaner and of the accessories can be cleaned with a dry or a slightly damp cloth, or with a proprietary cleaner suitable for plastic.


Do not use abrasive cleaning agents, glass cleaning agents, all-purpose cleaners or oil-based conditioning agents.


Dust compartment


The dust compartment can, if necessary, be cleaned using a **dry** duster, brush or, if available, a second vacuum cleaner to vacuum the dust out.

Warning: Do not let the vacuum cleaner get wet. If moisture gets into the appliance, there is a risk of electric shock.

The vacuum cleaner switches off automatically.

The overheating warning light  also comes on.

A temperature limiter switches the vacuum cleaner off automatically if it gets too hot. The overheating warning light  will then come on to indicate that it has overheated.

This can occur if, for instance, large articles block the suction tube or when the filter bag is full or contains particles of fine dust. A heavily soiled exhaust or dust compartment filter can also be the cause of overheating. Switch the vacuum cleaner off immediately using the On/Off foot control . Disconnect from the electricity supply. Switch it off at the wall socket and unplug it.

After removing the cause, wait for approx. 20 - 30 minutes to allow the vacuum cleaner to cool down. It can then be switched on again.



After sales service

In the event of a fault that you cannot easily remedy, please contact

– your Miele Dealer

or

– Miele (see back cover for contact details).

Please note that telephone calls may be monitored and recorded for training purposes (UK only).

Please observe the flooring manufacturer's cleaning and care instructions.

A number of additional accessories and floorheads are available to order for your vacuum cleaner via your Miele Dealer, Miele or online at:



Certain models are supplied as standard with one or more of the following accessories:

Electrobrushes

Electrobrush Electro Comfort (SEB 216-3)

This Electrobrush is particularly suitable for intensive vacuuming of carpets which are subject to hard wear. It is very effective at removing deep seated dirt and preventing areas of frequent use being trodden into a path.

Electrobrush Electro Premium (SEB 234-L)

This Electrobrush is 60 mm wider than the SEB 216-3, and is more powerful, making it ideal for cleaning larger floor areas.

It has the following additional features compared to the SEB 216-3:

- adjustable height settings
- A headlamp to light up the area being vacuumed
- A multi-function indicator light

Floorheads / brushes

Classic Allergotec floorhead (SBDH 285-3)

This floorhead is suitable for daily hygienic cleaning of all floor surfaces. The level of cleanliness of the floor shows in a colour "traffic light" display when vacuuming.

Turbo Comfort Turbobrush (STB 205-3)

This turbobrush is ideal for cleaning cut pile carpet.

Hard floor brush (SBB 235-3)

This brush is designed for use on hard flooring such as tiled or stone floors.

Parquet floor brush (SBB Parquet-3)

This brush has natural bristles and is designed for use on parquet floors and other surfaces which are susceptible to scratching such as laminate flooring.

Parquet Twister swivel-action floorbrush (SBB 300-3)

This brush is suitable for a variety of hard floor surfaces and has a swivel joint enabling it to get into awkward corners.

Parquet Twister XL swivel-action floorbrush (SBB 400-3)

This brush is extra wide making it suitable for large areas of flooring and has a swivel joint enabling it to get into awkward corners.

Optional accessories

Other accessories

MicroSet (SMC 20)

This set is specially designed for cleaning small objects and difficult to reach areas (such as PC keyboards, stereo equipment, intricately carved furniture and ornaments, models etc).

CarCare Set (SCC 10)

For valeting the interior of cars.

Cat&Dog Set (SCD 10)

Especially for households with pets.

HomeCare Set (SHC 10)

Accessories for cleaning the living areas of your home.

Hand Turbobrush Turbo Mini Compact (STB 20)

For cleaning upholstery, mattresses, car seats etc.

Universal brush SUB 20

For dusting books, shelves, etc.

Radiator brush (SHB 20)

For cleaning radiators, narrow shelves and crevices.

Mattress nozzle (SMD 10)

For cleaning upholstery, mattresses, cushions, curtains, covers etc.

Crevice nozzle, 300 mm (SFD 10)

Extra-long crevice nozzle for cleaning in folds, crevices or corners.

Crevice nozzle, 560 mm (SFD 20)

Flexible crevice nozzle for accessing awkward to reach areas.

Upholstery nozzle, 190 mm (SPD 10)

For cleaning upholstery, mattresses, car seats etc.

Flexible extension hose (SFS 10)

For extending the suction hose by approx. 1.5 m.

Hygiene seal with active charcoal

This prevents dust and odours escaping when the suction hose has been removed from the cleaner.

Filters

Active Air Clean exhaust filter (SF-AAC 50)

This filter absorbs odours from the dirt collected in the dustbag.

Filter grille

The filter grille is required if you wish to fit an Air Clean filter instead of the Active HEPA filter.

All electrical work should be carried out by a suitably qualified and competent person in strict accordance with current national and local safety regulations (BS 7671 in the UK).

The voltage and frequency are given on the data plate located underneath the vacuum cleaner. Please ensure that these match the household mains supply. The fuse rating is quoted on the plug.

The appliance is supplied with a cable and moulded plug ready for connection to a 230-240 V/50 Hz a.c. single phase supply.

Non-rewireable plugs BS 1363

The fuse cover must be re-fitted when changing the fuse, and if the fuse cover is lost the plug must not be used until a suitable replacement is obtained. The colour of the correct replacement cover is that of the coloured insert in the base of the plug, or the colour that is embossed in words on the base of the plug, (as applicable to the design of plug fitted).

Replacement fuses should be ASTA approved to BS1362 and have the correct rating. Replacement fuses and fuse covers may be purchased from your local electrical supplier.

United Kingdom

Miele Co. Ltd.
Fairacres, Marcham Road
Abingdon, Oxon, OX14 1TW
Tel: 0845 365 0555
Fax: 0845 365 0777
Customer Contact Centre Tel: 0845 365 6600
E-mail: info@miele.co.uk
Internet: www.miele.co.uk

Australia

Miele Australia Pty. Ltd.
ABN 96 005 635 398
1 Gilbert Park Drive, Knoxfield, VIC 3180
Tel: 1300 464 353, Fax: (03) 9764 7149
Internet: www.miele.com.au

China

Miele (Shanghai) Trading Ltd.
1-3 Floor, No. 82 Shi Men Yi Road
Jing' an District
200040 Shanghai, PRC
Tel: +86 21 6157 3500
Fax: +86 21 6157 3511
E-mail: miele Shanghai@cn.miele.com
Internet: www.miele.cn

Miele (Hong Kong) Limited

41/F - 4101, Manhattan Place
23 Wang Tai Road
Kowloon Bay
Hong Kong
Tel: (852) 2610 1331
Fax: (852) 2610 1013
Email: mielehk@miele.com.hk

India

Miele India Pvt. Ltd.
Ground Floor, Copia Corporate Suites
Plot No. 9, Jasola
New Delhi - 110025
Tel: 011-46 900 000, Fax: 011-46 900 001
E-mail: customercare@miele.in
Internet: www.miele.in

Manufacturer: Miele & Cie. KG
Carl-Miele-Straße 29, 33332 Gütersloh, Germany

Miele

Ireland

Miele Ireland Ltd.
2024 Bianconi Avenue
Citywest Business Campus, Dublin 24
Tel: (01) 461 07 10, Fax: (01) 461 07 97
E-Mail: info@miele.ie, Internet: www.miele.ie

New Zealand

Miele New Zealand Limited
Unit L, 10-20 Sylvia Park Road
Mt. Wellington, 1060, Auckland, NZ
Tel: 0800 264 353, Fax: 0800 463 453
Internet: www.miele.co.nz

Singapore

Miele Southeast Asia
Miele Pte. Ltd.
163 Penang Road
04 - 02/03 Winsland House II
Singapore 238463
Tel: +65 6735 1191, Fax: +65 6735 1161
E-Mail: infosea@miele.com.sg
Internet: www.miele.sg

South Africa

Miele (Pty) Ltd
63 Peter Place, Bryanston 2194
P.O. Box 69434, Bryanston 2021
Tel: (011) 875 9000
Fax: (011) 875 9035
E-mail: info@miele.co.za
Internet: www.miele.co.za

United Arab Emirates

Miele Appliances Ltd.
P.O. Box 11 47 82
Gold & Diamond Park
Sheikh Zayed Road
Building 6 / Offices Nos. 6-214 to 6-220
Dubai
Tel: +971-4-341 84 44
Fax: +971-4-341 88 52
E-Mail: info@miele.ae
Internet: www.miele.ae